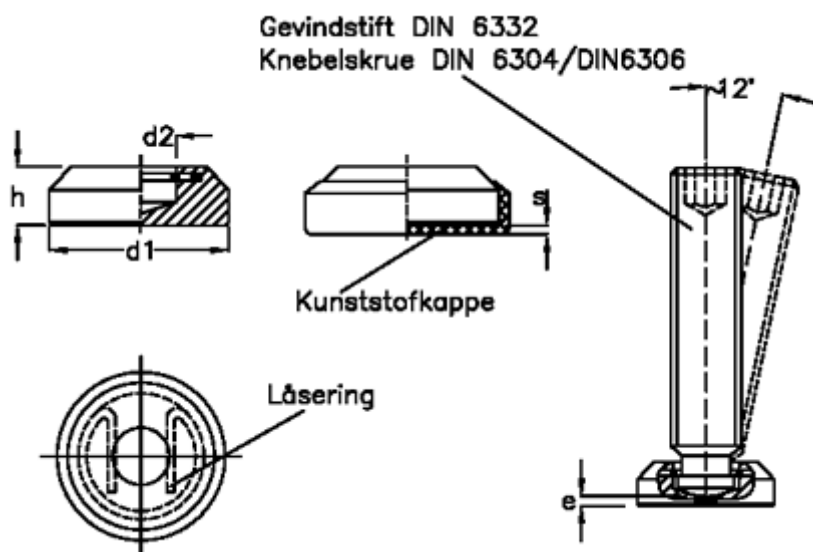


Data Sheet



Article number: 20804020B
Description: E+G Thrust pad
GN 6311.1-20-K

Measures



d1	= 20
d2	= 8.4
e	= 2.6
H	= 10
s	= 1.5
Thread	= M10